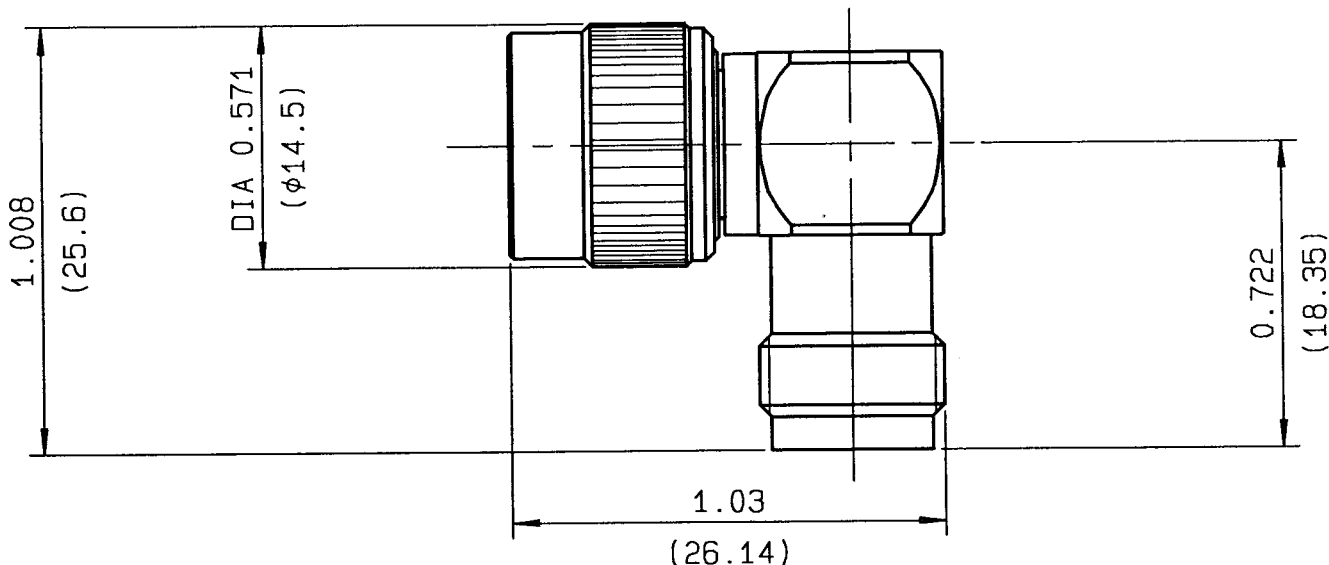


RIGHT ANGLE MALE TO FEMALE ADAPTOR

R144.770.000

SERIES

TNC 75



NOMINAL IMPEDANCE	75 Ω	CABLES :	
FREQUENCY RANGE	0-1.5 GHz		
TEMPERATURE RATING	-65/+165 °C		
V.S.W.R	1.35 + x F(GHz)Maxi		
RF INSERTION LOSS	.3 √F(GHz) dB Maxi		
VOLTAGE RATING	500 Veff Maxi		
DIELECTRIC WITHSTANDING VOLTAGE	1500 Veff Mini		
INSULATION RESISTANCE	5000 MΩMini	OTHERS CHARACTERISTICS	
HERMETIC SEAL	NA Atm.cm ³ /s	CABLE RETENTION	NA N Mini
LEAKAGE (pressurized only)	NA	CENTER CONTACT RETENTION	
MECHANICAL DURABILITY	500 Cycles	Axial force - mating end	27 N Mini
WEIGHT	20.3 gr	Axial force - opposite end	27 N Mini
SPECIFICATION		Torque	NA cm.N Mini
		RECOMMENDED TORQUES	
		Mating	NA cm.N
		Panel nut	NA cm.N
		Clamp nut	NA cm.N

CONNECTOR PARTS	MATERIALS	FINISH	(all values are given in micrometers)
BODY	BRASS	NICKEL 2	
OUTER CONTACT	BRASS	NICKEL 2	
CENTER CONTACT	BERYLLIUM COPPER	GOLD 0.5 OVER NICKEL 2	
INSULATOR	PTFE	-	
GASKET		-	
OTHERS PIECES			

ISSUE	CREATION DATE	FILE PART-NUMBER	
9717A00	09-JAN-97	96-0400-204	

The information given here is subject to change without notice. Design changes may be in order to improve the product.

Connect to the future